



Livestock Trailer Wash Disinfection and Information Guide



Animal Premise Disinfectant Cleaner & Deodorizer Concentrate

PREvail

Animal Premise Disinfectant Cleaner & Deodorizer Concentrate

Actives Ingrédients: 7,0% w/v

Désinfectant, nettoyant et désodorisant concentré pour lieux où loge les animaux

Hydrogène Peroxyde 7,0% w/v

INGREDIENTS:
 Hydrogen Peroxide 7.0% w/v

PRECAUTIONARY STATEMENTS

READ THE LABEL BEFORE USING

NEVER MIXTURES
 NEVER EVALUATION

Net Content: **200L**

CLAIMS

DISINFECTANT USE DIRECTIONS

PRECAUTIONARY STATEMENTS

READ THE LABEL BEFORE USING

NEVER MIXTURES
 NEVER EVALUATION

Désinfectant, nettoyant et désodorisant concentré pour lieux où loge les animaux

MODE D'EMPLOI DU DÉSINFECTANT

LES ALLÉGATIONS

MODE D'EMPLOI DU DÉSINFECTANT

LES ALLÉGATIONS

How to Use Prevail™ in Livestock Trailer Washes

DIAGRAM 1

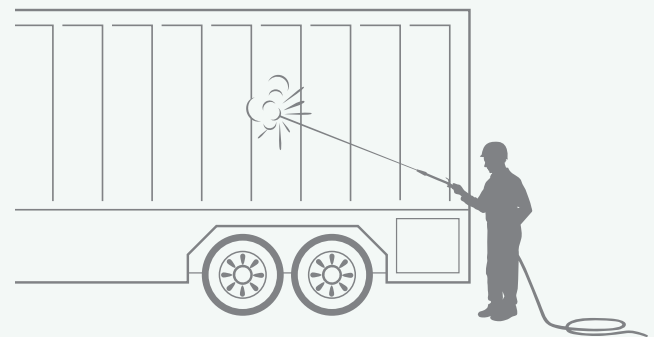
Dilute Prevail™ Concentrate to the desired concentration



SELECT YOUR DILUTION	ADD PREVAIL™ CONCENTRATE	ADD WATER
PRE-SOAK 1:128	32mL	4L
DISINFECTION 1:40 5 min contact time	100mL	4L

3 Rinse with Water

- Use a pressure washer (>1000 psi) and hot water to rinse off detergent. As with every application, start with the exterior, and proceed to the interior, working from front to back. Be sure to spray the underside of fender wells and vehicle frames.

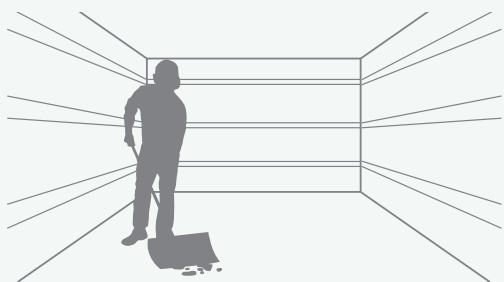


4 Disinfect

- Apply Prevail™ Disinfectant, using a dilution of 100mL per 4L of water (1:40 - see diagram 1 for dilution directions) to the entire surface in the same manner as used with the cleaner. Allow the disinfectant to remain on the surface for the required contact time.

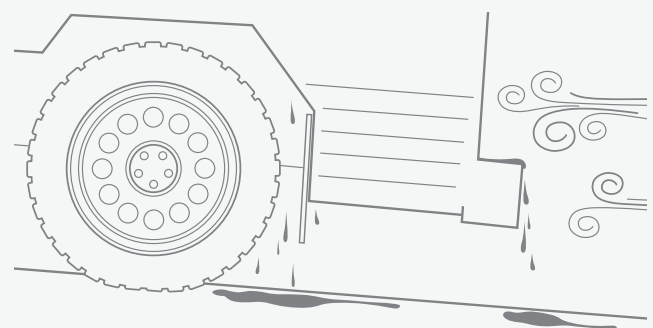
1 Physically remove dirt and debris

- Remove any crates or bedding and ensure that they are cleaned and disinfected.
- With the aid of a shovel or scraper, remove as much debris from the exterior of the vehicle as possible. Be sure to also target the wheels and mud flaps in addition to the vehicle's body.
- Working from front to back, scrape out all organic matter from the interior of the vehicle. In the case of multiple levels, start from the highest level and work downward.



5 Dry the entire vehicle

- Ideally, dry the vehicle with heat and ventilation, or by parking the vehicle on a slope to allow liquid to drip out.



6 Clean and disinfect the cab

- Remove all objects inside the cab and vacuum surfaces.
- Using Prevail™ Wipes, wipe down any surfaces that the driver has touched or handled, including pedals. Use a new wipe when the wipe becomes visibly soiled or dry. Allow three minutes for the disinfectant to reach its contact time.



2 Pre-soak with Detergent

- Using a foam gun, apply Prevail™ Disinfectant with hot water using a dilution of 32mL per 4L of water (1:128) - see diagram 1 for dilution directions. Start with the exterior of the vehicle, working from front to back, and then proceed to spray down the inside, from bottom to top and from front to back.
- Also, be sure to target loading docks, removable floor panels, wheels and wheel wells.
- Rigorously scrub surfaces to loosen remaining debris.

It is your sole responsibility and crucial that you strictly adhere to the protocols outlined in this report to achieve the results indicated on the product label. Virox Technologies, the manufacturer of Prevail™, assumes, and otherwise has, no responsibility or liability whatsoever for any loss, damage or other issues resulting from improper use of the product. Please ensure that you strictly follow all the maintenance and service requirements listed by your vehicle manufacturer and that you schedule regular maintenance checks and service appointments to do so and comply therewith.



PREvail® Tips and Tricks

When using Prevail™ in your livestock trailer wash, there are a couple of key considerations to keep in mind before you're ready to disinfect:

Equipment

Using a **pressure washer** (>1000 psi), in combination with Prevail™ approved equipment such as the Venturi In-Line injection system, spray water to rinse off detergent. As with every application, start with the exterior, and proceed to the interior, working from front to back. Be sure to spray the underside of fender wells and vehicle frames.

Water Temperature

Using warm or hot water through the chemical injection system when applying Prevail™ during the cleaning and disinfection stage can improve the disinfection performance. Broadly speaking, for every 20°F increase in temperature the rate of disinfection will double. Temperature should not be a substitute to proper contact time but can be used as an additional safety factor.

Contact Time

It is crucial to ensure that the disinfectant **remains wet** on all surfaces of the vehicle for the duration of the contact time.

Testing

While equipment can help dilute your concentrated product to the correct concentration, it is still important to verify that your final solution is appropriately diluted. **AHP1750 Test Strips** can be used to verify that your dilution is correct before you begin to disinfect.

Cold Weather

During periods of cold weather, propylene glycol can be added to maintain disinfectant efficacy under freezing conditions. For full Prevail™ cold weather protocols, please visit our website:

PrevailDisinfectants.com

References

1. Canadian Food Inspection Agency. (2018). National Biosecurity Standard for Livestock, Poultry and Deadstock Transportation.
2. University of Minnesota. (2011). Swine Delivery Biosecurity Protocol.
3. Pork Checkoff. (2017). Transport Quality Assurance Program, 6th Edition.
4. Ramirez (2020) Ramirez, J. Theory and Practice of cleaning and disinfection in swine biosecurity, 51st Annual Meeting of the AASV, Atlanta, March 7th-10th, 2020.

